

TR01紧凑型直线导轨 Low-profile linear guide rails

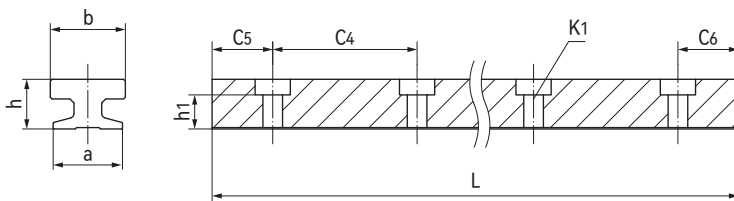


产品特性 Product features

- 很小的导轨安装宽度09-12mm
- 尺寸与金属滚珠导轨相同
- 表面经过硬质氧化铝合金
- 配合TRC免维护滑台使用
- 轻量化设计

- Small installation width from 09 to 12 mm
- The dimensions are the same as the ball bearing guides
- Made of hard anodized surface of aluminum alloy
- Maintenance-free with TRC roller carragies
- Lightweight design

标准规格 Standard specifications



产品编码 Part No.:

TR01-09-0000-NH

- 空白Blank: 带安装孔 With mounting holes
- NH: 无安装孔 No mounting holes
- 长度 Length
- 宽度 Width

产品编码 Part No.	b [mm]	h [mm]	a _{0.2} [mm]	h ₁ [mm]	C ₅ =C ₆ [mm]		C ₄ [mm]	K ₁ [mm]	L max. [mm]	重量 Weight [Kg/m]
					min.	max.				
TR01-09-0000	9.6	6.3	9	4.6	5	14.5	20	M2	3000	0.11
TR01-12-0000	13	8.6	12	5.9	5	17	25	M3	3000	0.20
TR01-15-0000	17	10.8	15	7.1	10	29.5	40	M3	3000	0.32

*M2: 通孔 Plain holes

产品编码 Part No.	b [mm]	h [mm]	a _{0.2} [mm]	h ₁ [mm]	C ₅ =C ₆ [mm]		C ₄ [mm]	K ₁ [mm]	L max. [mm]	重量 Weight [Kg/m]
					min.	max.				
TR01-09-0000-NH	9.6	6.3	9	-	-	-	-	-	3000	0.11
TR01-12-0000-NH	13	8.6	12	-	-	-	-	-	3000	0.20
TR01-15-0000-NH	17	10.8	15	-	-	-	-	-	3000	0.32

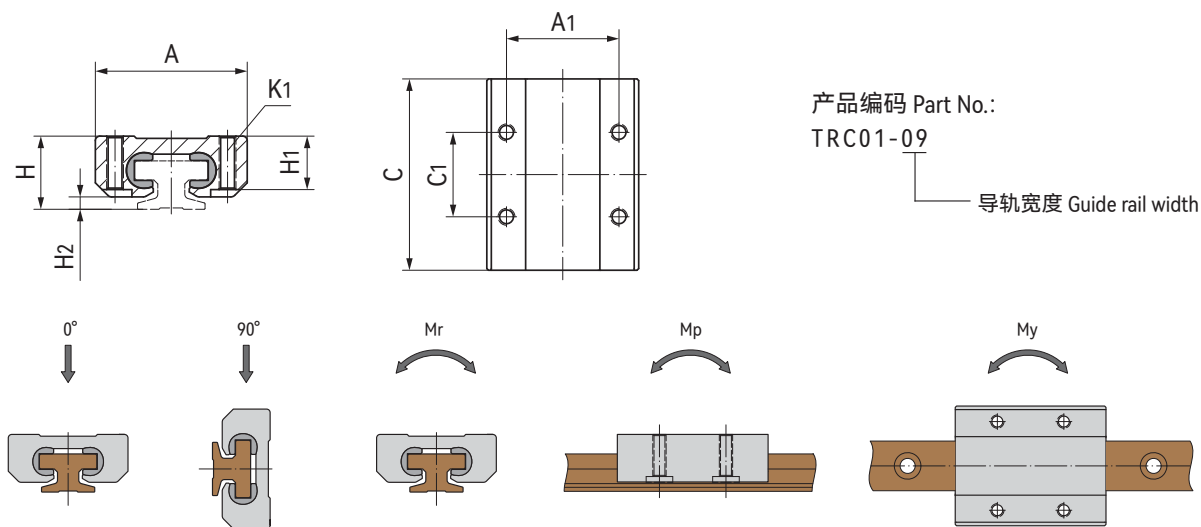
TRC01导轨滑块 Guide rail carriages



产品特性 Product features

- 标准滑动膜EPB13
 - 自润滑、免维护
 - 重量轻、快速装配
 - 用于TR直线导轨
 - 抵抗灰尘
 - 无噪音运行
- Fitted standard liners EPB13
 - Maintenance-free, dry-running
 - Fast assembly and light weight
 - For TR linear guide rails
 - Resistant dust
 - Quiet operation

标准规格 Standard specifications



产品编码 Part No.	A [mm]	A ₁ ±0.2 [mm]	C±0.2 [mm]	C ₁ [mm]	H±0.2 [mm]	H ₁ [mm]	H ₂ [mm]	K ₁ [mm]	静态载荷 Static load[N]		最大静力矩 Static load[N·M]			重量 Weight [g]
									0°	90°	Mr	Mp	My	
TRC01-09	20	15	29	10	10	7.2	1.7	M2	4200	1300	16	32	9	9
TRC01-09-13	20	15	29	13	10	7.2	1.7	M2	4200	1300	16	32	9	9
TRC01-12	27	20	34	15	13	9.5	2.2	M3	6800	2000	34	64	19	15
TRC01-15	32	25	42	20	16	11.2	2.8	M3	11200	3200	73	118	34	30